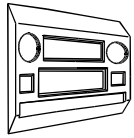
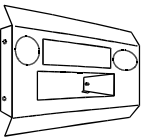
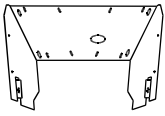
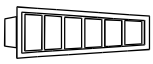

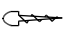

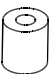
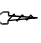
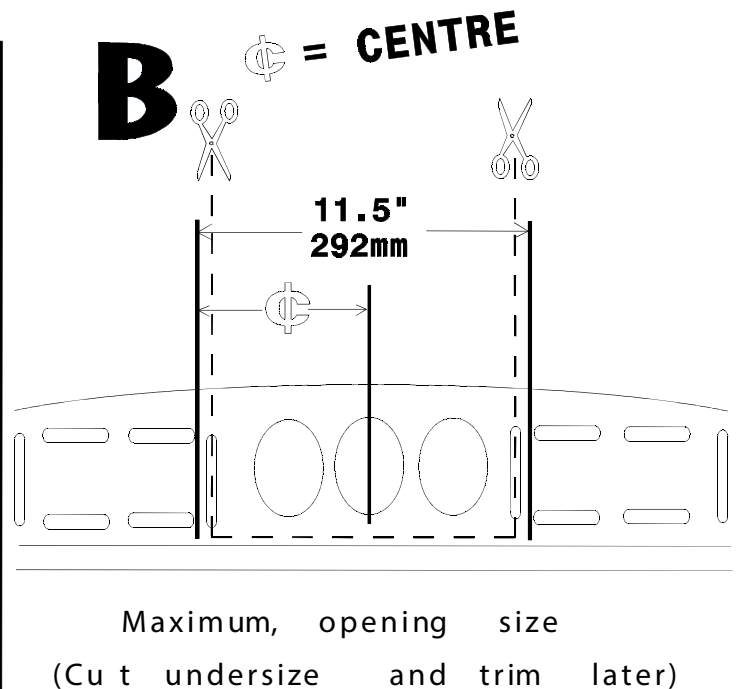
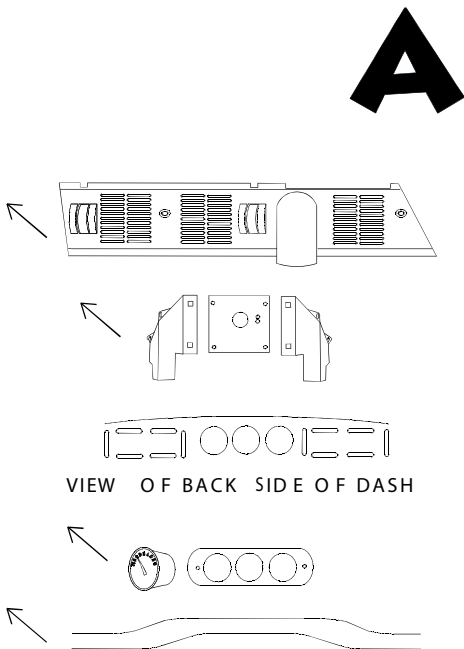
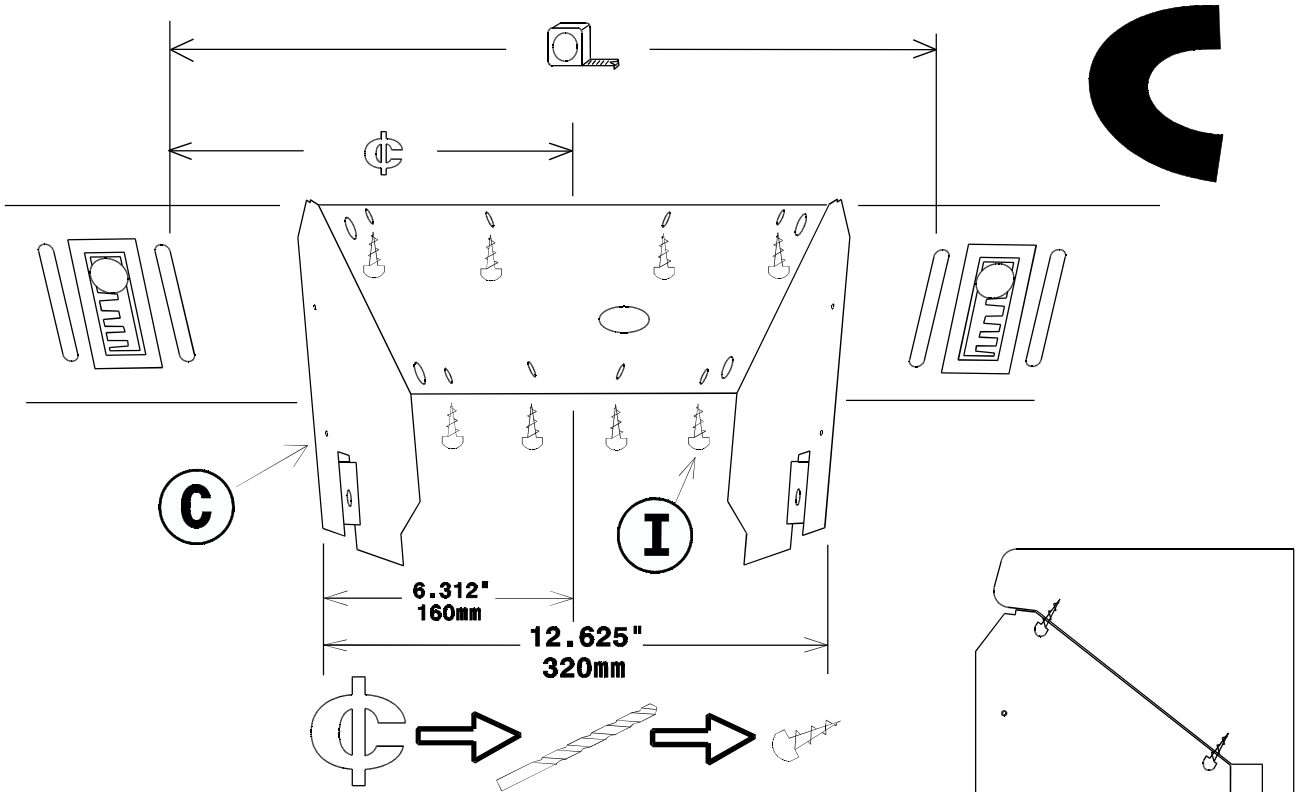


# Your Defender Dash Kit Includes The Following:

- |   |  |
|---|--|
| <p><b>A</b>  <b>1 pc</b><br/>face plate</p> <p><b>B</b>  <b>1 pc</b><br/>support tray</p> <p><b>C</b>  <b>1 pc</b><br/>support frame</p> <p><b>D</b>  <b>1 pc</b><br/>switch mounting panel</p> | <p><b>E</b>  <b>4 pcs</b><br/>M4 x 16mm</p> <p><b>F</b>  <b>2 pcs</b><br/>1" 25.4mm</p> <p><b>G</b>  <b>1 pc</b><br/>1.25" 32mm</p> <p><b>H</b>  <b>1 pc</b><br/>.375" 9mm spacer</p> <p><b>I</b>  <b>8 pcs</b><br/>.5" 13mm</p> |
|---|--|

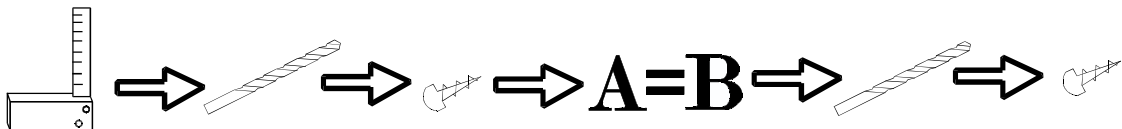
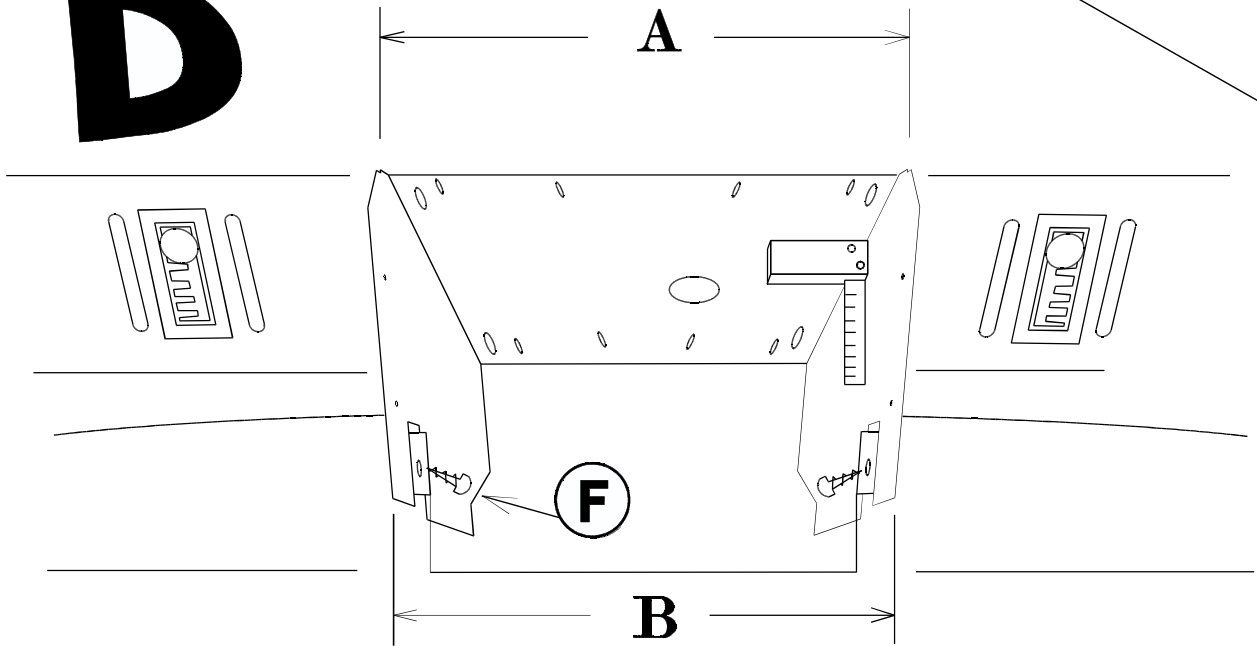
**REMOVE TRIM**

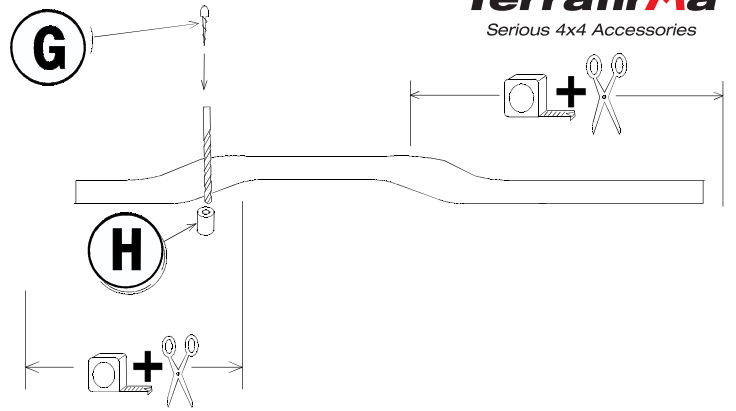
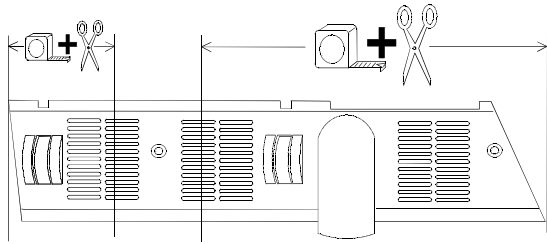




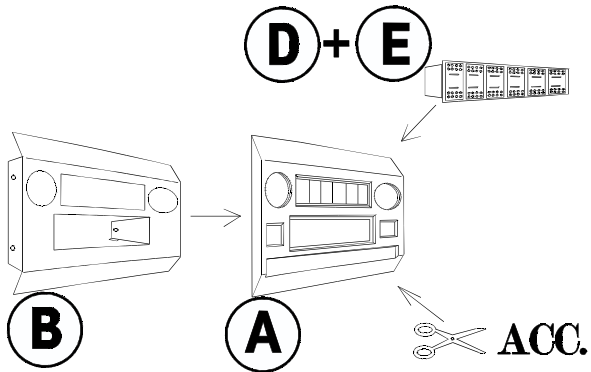
**HINT: USE DOUBLE-SIDED TAPE TO KEEP PARTS FROM SLIPPING AND LATER SQUEEKING.**

**D**





**E** Cut Trim, and Remove Cut Offs  
 Reinstall and fit support frame



**F**

